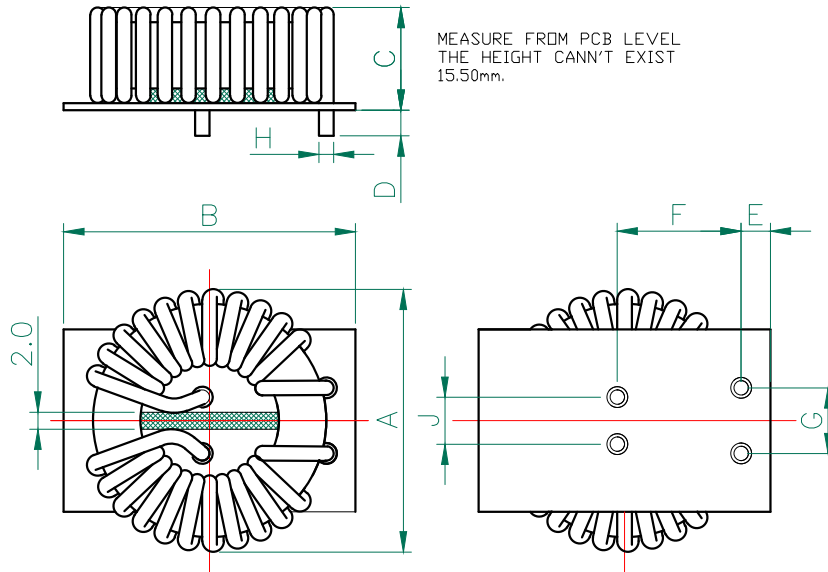


CMX1616X282B-10

PHYSICAL DIMENSIONS:

A	42.00	MAX
B	40.00	MAX
C	15.50	MAX
D	3.50	+ 0.50
E	3.50	+ 0.50
F	22.00	+ 0.50
G	15.50	+ 0.50
H	∅1.30	+ 0.20
J	4.00	+ 0.50



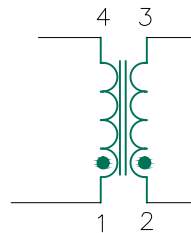
ELECTRICAL CHARACTERISTICS		NOM	MIN	MAX
INDUCTANCE @ 100kHz/0.1V	uH	2816	1689	3802
DCR	mΩ	---	---	11
CURRENT RATING	A	---	---	14
RATING VOLTAGE	Vrms	---	---	250

HIPOT COIL-COIL: 1500V

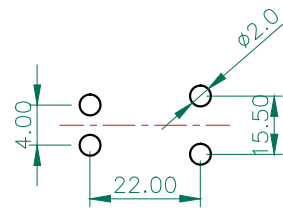
NOTE: UNLESS OTHERWISE SPECIFIED

1. FERRITE CORE: T33x18x7.3, MNZN;
2. TIN: LEAD-FREE SOLDER BAR;
3. ISOLATE 2 COILS BY EPOXY.
4. OPERATING TEMPERATURE RANGE: -40°C TO+105°C (INCLUDING SELF-HEATING).

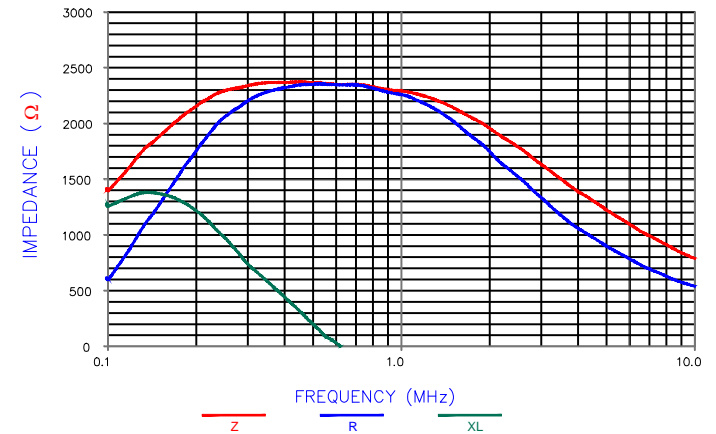
EQUIVALENT CIRCUIT



LAND PATTERN



Z, R, XL vs. FREQUENCY



RoHS

DIMENSIONS ARE IN mm.				This print is the property of Laird Tech. and is loaned in confidence subject to return upon request and with the understanding that no copies shall be made without the written consent of Laird Tech. All rights to design or invention are reserved.			
PROJECT/PART NUMBER:				REV			
CMX1616X282B-10				B			
DATE:				PART TYPE:			
03/08/19				DC			
04/15/13				QIU			
DATE:				SCALE:			
04/15/13				NTS			
CAD #				TOOL #			
CMX1616X282B-10-B				-			
REV				DESCRIPTION			
DATE				INT			
SHEET:				DRAWN BY:			
1 of 1				QIU			

Laird