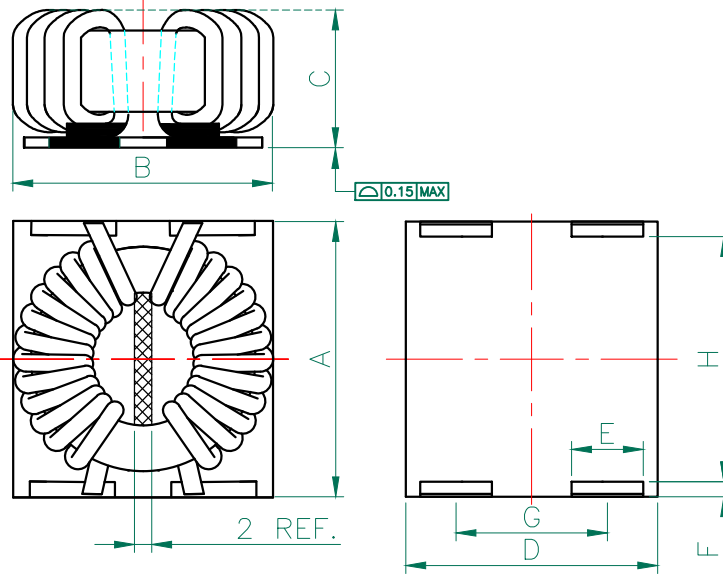


CMX1211X132B-10

PHYSICAL DIMENSIONS:

| | | |
|---|-------|--------|
| A | 31.50 | MAX |
| B | 28.00 | MAX |
| C | 19.00 | MAX. |
| D | 25.00 | REF |
| E | 6.00 | ± 0.25 |
| F | 3.35 | ± 0.25 |
| G | 15.24 | ± 0.30 |
| H | 24.20 | ± 0.30 |



ELECTRICAL SPECIFICATION

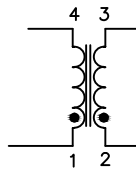
| ELECTRICAL CHARACTERISTICS | | NOM | MIN | MAX |
|-----------------------------------|------|------|------|------|
| INDUCTANCE @ 100kHz/100mV 1-4/2-3 | uH | 1300 | 780 | 1755 |
| DCR 1-4/2-3 | mΩ | ---- | ---- | 10 |
| RATING CURRENT | A | ---- | ---- | 11 |
| RATING VOLTAGE | Vrms | ---- | ---- | 250 |

HIPOT COIL-COIL: 1500VAC

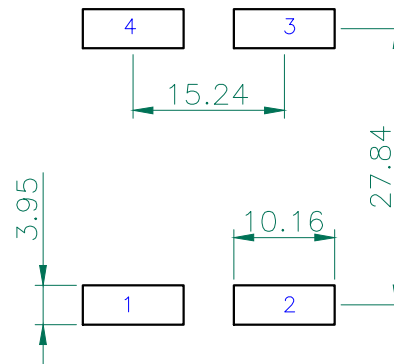
NOTES: UNLESS OTHERWISE SPECIFIED

- COMPONENTS SHOULD BE ADEQUATELY PREHEATED BEFORE SOLDERING.
- TIN: LEAD-FREE SOLDER BAR.
- BASE MATERIAL: PHENOLIC RESIN.
- THIS PART HAS NO PIN POLARITY.
- OPERATION TEMPERATURE RANGE: -40°C TO +125°C (INCLUDING SELF-HEATING).

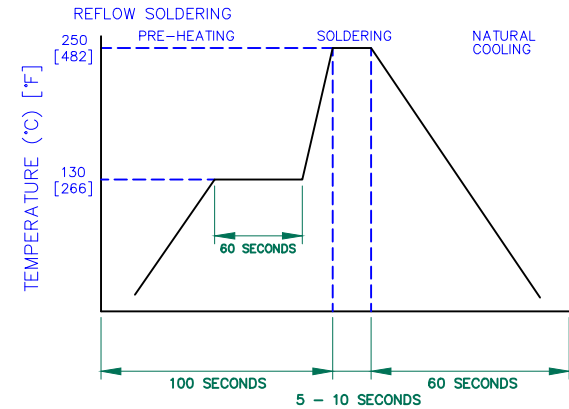
EQUIVALENT CIRCUIT



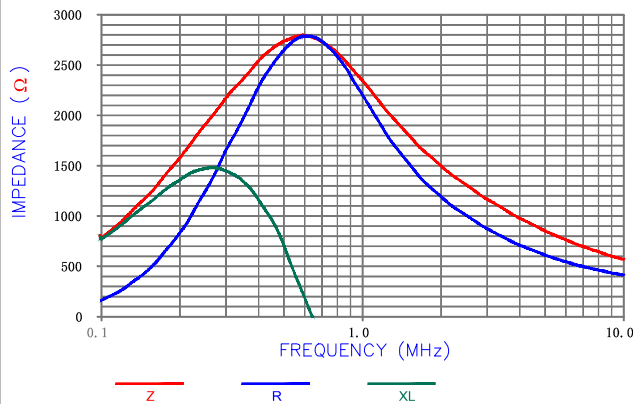
LAND PATTERNS FOR REFLOW SOLDERING



RECOMMENDED SOLDERING CONDITIONS



Z, R, XL vs. FREQUENCY



| DIMENSIONS ARE IN mm . | | | | This print is the property of Laird Tech. and is loaned in confidence subject to return upon request and with the understanding that no copies shall be made without the written consent of Laird Tech. All rights to design or invention are reserved. | | | |
|------------------------|----------------------------|----------|-----|---------------------------------------------------------------------------------------------------------------------------------------------------------------------------------------------------------------------------------------------------------|-----------------------|----------------------|--|
| | | | | Laird | | | |
| | | | | PROJECT/PART NUMBER: CMX1211X132B-10 | | | |
| | | | | REV: C | PART TYPE: CMX | DRAWN BY: QIU | |
| C | CHANGE RATING VOLTAGE UNIT | 03/11/13 | QIU | DATE: 11/14/12 | SCALE: NTS | SHEET: 1 of 1 | |
| B | ADD BOTTOM VIEW AND NOTE 3 | 01/03/13 | QIU | | | | |
| A | ORIGINAL DRAFT | 11/14/12 | QIU | | | | |
| REV | DESCRIPTION | DATE | INT | CAD # CMX1211X132B-10-C | | | |

