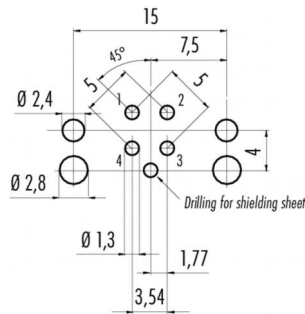


Product description **M12-D female panel mount connector, Contacts: 4, shieldable, with shield plate, dip-solder, IP67, UL**  
 Area **M12-D series 876**  
 Order number **99 3732 203 04**

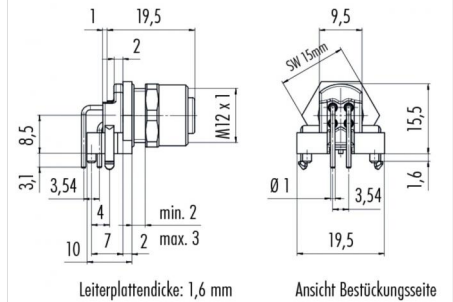
**Illustration**



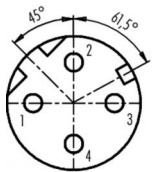
**Conductor layout**



**Scale drawing**



**Contact arrangement**



	X	Y
1	-2,50	0,00
2	0,00	2,50
3	2,50	0,00
4	0,00	-2,50

- 1 gelb
- 2 weiß
- 3 orange
- 4 blau

**Technical data**

**General values**

Connector design female panel mount connector  
 Connector locking system screw  
 Termination dip-solder  
 Upper limit temperature 85 °C  
 Lower limit temperature -40 °C  
 Customs tariff number 85369010

**Cable data**

Approval 1 UL

**Electrical values**

Rated current (40 °C) 4 A  
 Rated voltage 250 V  
 Rated impulse voltage 2500 V  
 Pollution degree 3  
 Overvoltage category II  
 Insulating material group II  
 Insulation resistance > 10<sup>10</sup> Ω  
 EMC compliance shieldable, with shield plate  
 Degree of protection IP67  
 Mechanical operation > 100 Mating cycles

**Material**

Contact material CuSn (bronze)  
 Contact plating Au (gold)  
 Contact body material PA

Product description	<b>M12-D female panel mount connector, Contacts: 4, shieldable, with shield plate, dip-solder, IP67, UL</b>
Area	<b>M12-D series 876</b>
Order number	<b>99 3732 203 04</b>

## Security notices

The connector must not be connected or separated under load. Non-observance and incorrect use can result in personal injury.

The connectors are designed for use in plant, control system and electrical equipment. The end user is responsible for checking whether the connectors are suitable for use in other applications.

Connectors with degree of protection IP 67 and IP 68 are not suitable for use under water. When used outdoors, the connectors must be separately protected against corrosion. For further information about IP degrees of protection refer to 'Technical support' in the Download Centre.