

### Superior maintenance, seal and resistance to shocks

- NC contacts direct opening mechanism added (able to open contacts when faults occur).
- Strengthen the head seal structure to increase seal properties.
- Wide ambient operating temperature range: -40 ~+80°C.
- Approved by UL, CSA, CCC, EN(TUV).

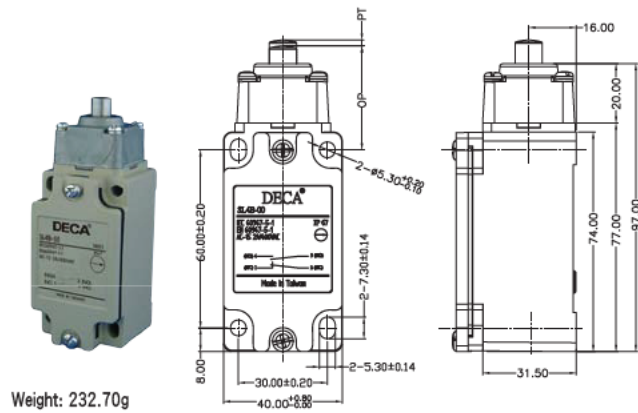
### ■ Characteristics

Degree of protection		IP67 (EN60947-5-1)
Durability	Mechanical	30,000,000 operations min. (snap-action) 10,000,000 operations min. (slow-action)
	Electrical	500,000 operations min. (10 A resistive load at 250 VAC)
Operating Speed		1 mm/s to 0.5 m/s
Operating Frequency	Mechanical	120 operations /min
	Electrical	30 operations /min
Rated Frequency		50/60Hz
Insulation Resistance		100MΩ min.
Contact Resistance		25mΩ max (initial value)
Dielectric Strength	Between terminals of same polarity	U <sub>imp</sub> 2.5 kV (snap-action) U <sub>imp</sub> 4 kV (slow-action)
	Between terminals of different polarity	U <sub>imp</sub> 4 kV (slow-action)
	Between current-carrying metal parts and ground	U <sub>imp</sub> 4kV
	Between each terminal and non-current-carrying metal part	U <sub>imp</sub> 4kV
Rated insulation voltage (U <sub>i</sub> )		600V(EN60947-5-1)
OFF reverse voltage		1500V max.(EN60947-5-1)
Pollution degree (Application environment)		3 (EN60947-5-1)
Conditional short-circuit current		100A (EN60947-5-1)
Conventional enclosed thermal current(I <sub>the</sub> )		20A (EN60947-5-1)
Electric shock protection class		Class I (with ground terminal)
Vibration Resistance	Malfunction	10-55 Hz, 0.75mm single amplitude
Shock Resistance	Destruction	1,000m/s <sup>2</sup> min.
	Malfunction	300m/s <sup>2</sup> min.
Ambient operating temperature range		-40°C ~+80°C (with no icing)
Ambient operating humidity range		95%RH max.
Packing		1pc /Box

Note: 1. Above values of these characteristics are initial values. 2. Above values of these characteristics may be depending on different models. If any requirements, pls contact our sales representative. 3. Above durability is for an ambient temperature of 5 to 35°C and ambient humidity of 40% to 70%. If any requirements, pls contact our sales representative.

### SL4B-00

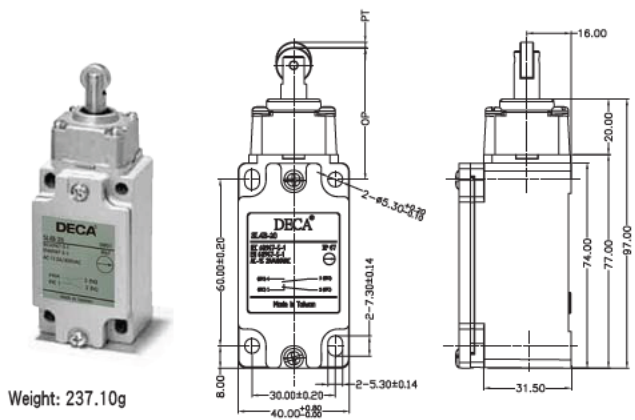
●Standard Pin Plunger



Weight: 232.70g

### SL4B-20

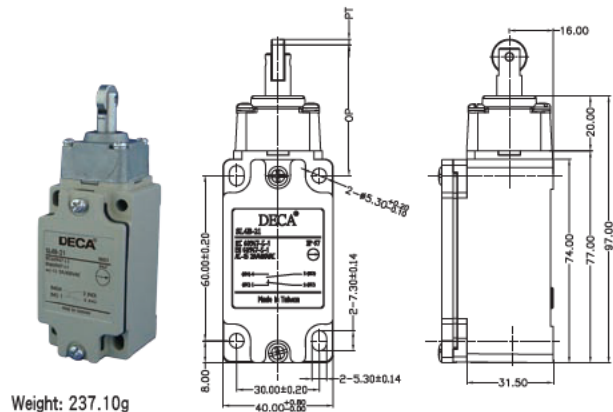
●Top Roller Plunger



Weight: 237.10g

### SL4B-21

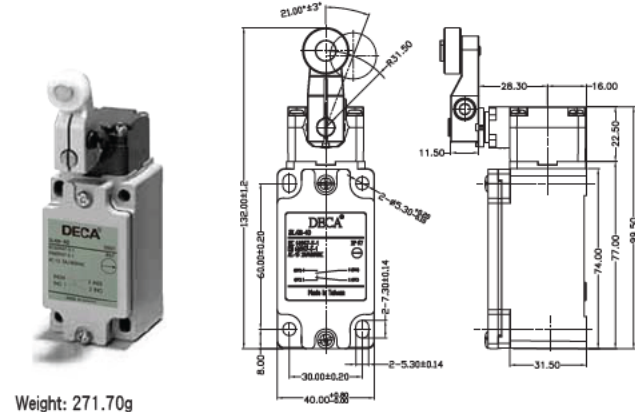
●Top Crossroller Plunger



Weight: 237.10g

### SL4B-40

●Vertical Standard Roller Lever



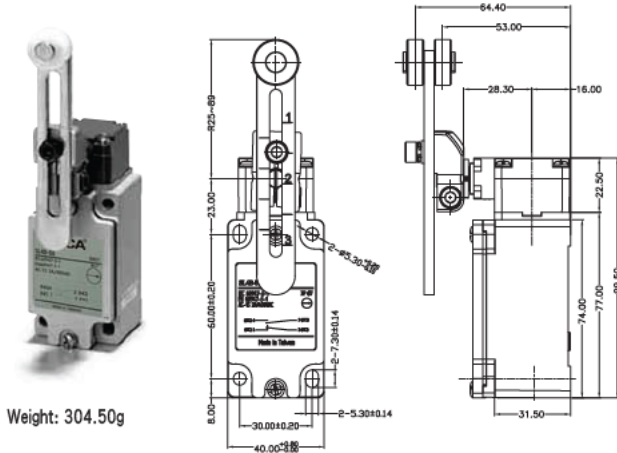
Weight: 271.70g

### Operating Characteristics

O.Characteristics	Model	SL4B-00	SL4B-20	SL4B-21	SL4B-40
OF	MAX	18.63N	18.63N	18.63N	9.41N
RF	MIN	1.96N	1.96N	1.96N	1.47N
PT		2mm	2mm	2mm	21° ± 3°
PT (2nd)		(3mm)	(3mm)	(3mm)	(45°)
OT	MIN	5mm	5mm	5mm	50°
MD	MAX	1mm	1mm	1mm	12°
DOT	MIN	3.2mm	3.2mm	3.2mm	35°
DOF	MIN	49.03N	49.03N	49.03N	55°
TT		(7mm)	(7mm)	(7mm)	(75°)
FP	MAX	38mm	51mm	51mm	
OP		35 ± 1mm	48 ± 1mm	48 ± 1mm	

## SL4B-50

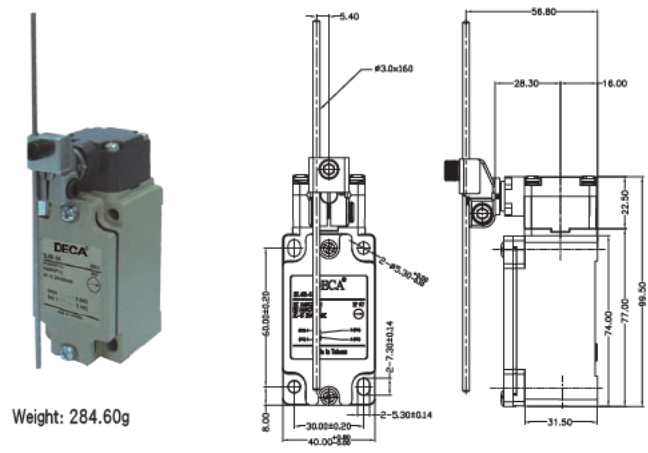
●Adjustable Roller Lever



Weight: 304.50g

## SL4B-66

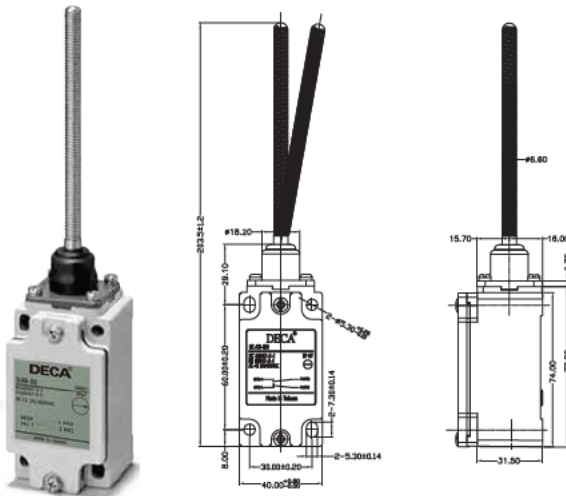
●Adjustable Rod Lever



Weight: 284.60g

## SL4B-80

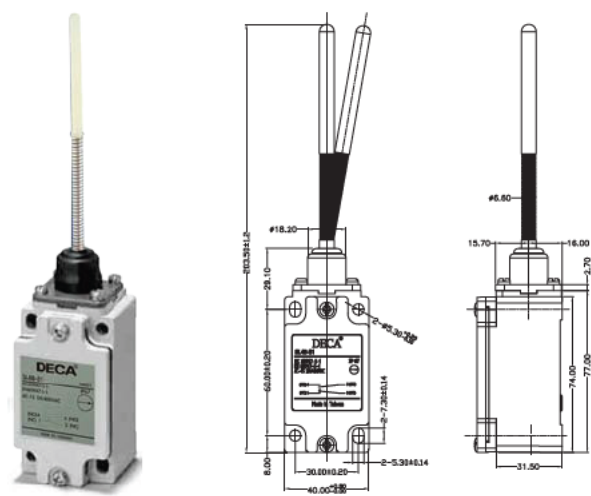
●Coil Spring



Weight: 221.30g

## SL4B-81

●Plastic Rod



Weight: 211.20g

### Operating Characteristics

O.Characteristics	Model	SL4B-50	SL4B-66	SL4B-80	SL4B-81
OF	MAX	9.41N	2.12N	1.47N	1.47N
RF	MIN	1.47N	0.29N		
PT		21° ± 3°	21° ± 3°	15°	15°
PT (2nd)		(45°)	(45°)		
OT	MIN	50°	50°		
MD	MAX	12°	12°		
DOT	MIN	35°	35°		
		55°	55°		
DOF	MIN	19.61N	19.61N		
TT		(75°)	(75°)		