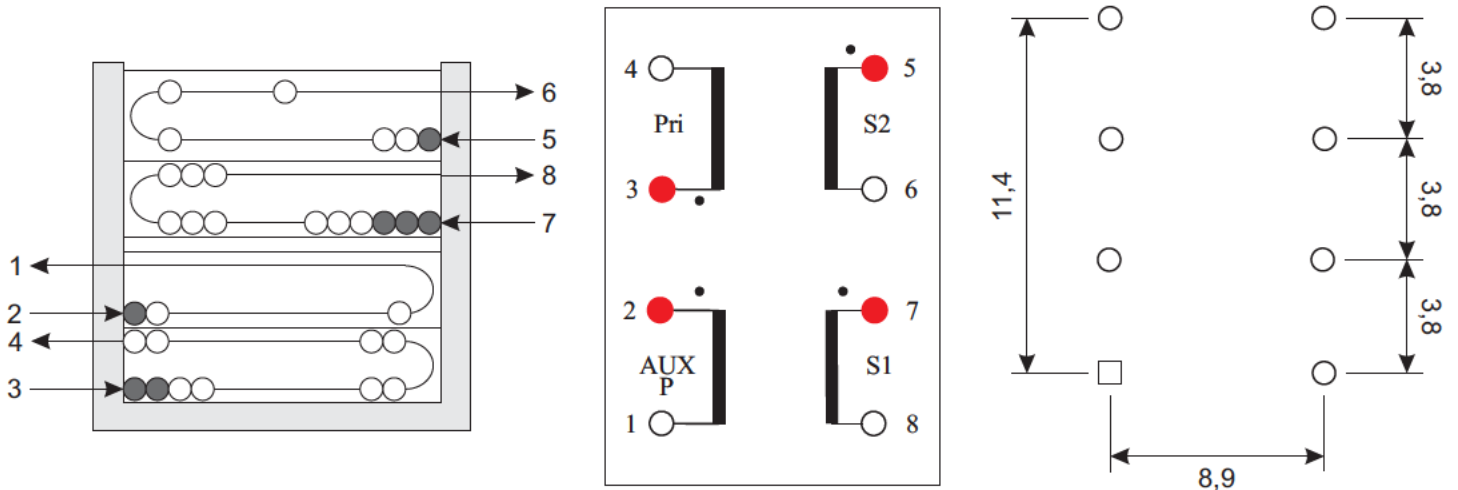


Winding prescription for transformers for AP 01, AP 02, AP 11, AP 21 devices for 24 V power supply !!!

View from below (BOTTOM)

Layout of holes on the J-1221 PCB



A high-frequency wire with insulation of 0.4 mm diameter is used for winding

SIZE E16 - 2 OUTPUTS : 5 & 24V - FLYBACK TRANSFORMER						
Output Power max	Windings					
		Pins	Turns	Voltage	Průměr drátu	Inductance (+/-10%)
12w	Pri	3 - 4	20	18-50 VDC	2x 0,35(0,4)	56μH ±10% assumed gap 0,20 mm
	Aux	2 - 1	9	12 VDC	0,35(0,4)	
	S1	7 - 8	4	5 VDC	3x 0,35(0,4)	
	S2	5 - 6	15	24 VDc	0,35(0,4)	

Ferrite: Manganese-Zinc Ferrites

Typ: E16/5m.L.0.1m K2006

Case: Weisser WZ7831/OS

Bobbin: EE 16/4,9/1 ST, Wz7822/1 ST, art. 3611

ISO 2768 - f				AP 01/ AP 02/ AP 11/ AP 21 Transformator 24 V
2.11.2023				
ISO9001/ .../VY-U-19-58				VY-U-19-58