

Components
comply to
RoHS 2002/95/EC

ITEM NO.	QTY.	PART NO.	DESCRIPTION
1	2	DTZK15-D5	Cover half
2	2	D-JSS-45	Jack screw
3	2	MFX-GF-3x10	Screw
4	1	DVZK-D1	Strain relief

C

THIS DRAWING MUST NOT BE
COPIED WITHOUT OUR PERMIS-
SION, IMPARTED TO A THIRD
PART OR OTHERWISE USED
WITHOUT AUTHORISATION.
CONTRAVENTION WILL BE
PROSECUTED

OSSI
CONNECTORS

Postbox 125
DK-4930 Maribo
Danmark
Tlf: 54782888 / Fax: 54783340

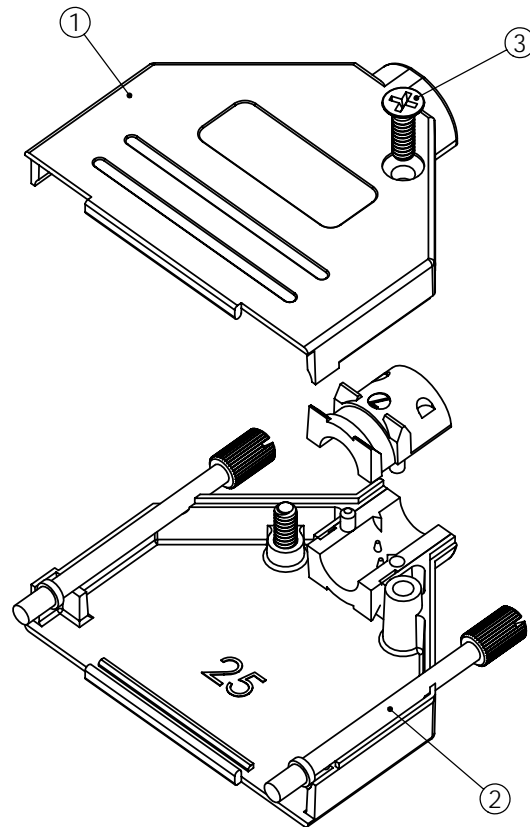
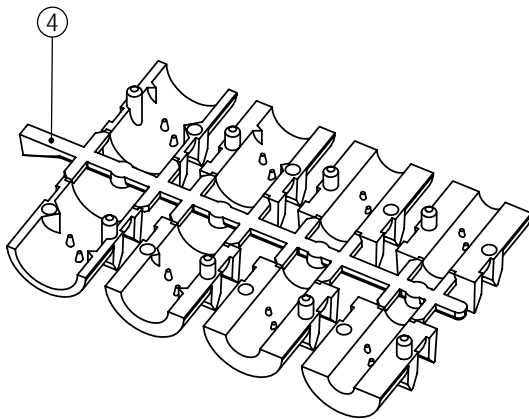
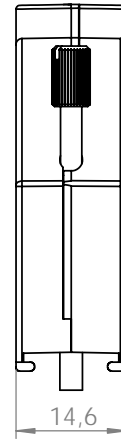
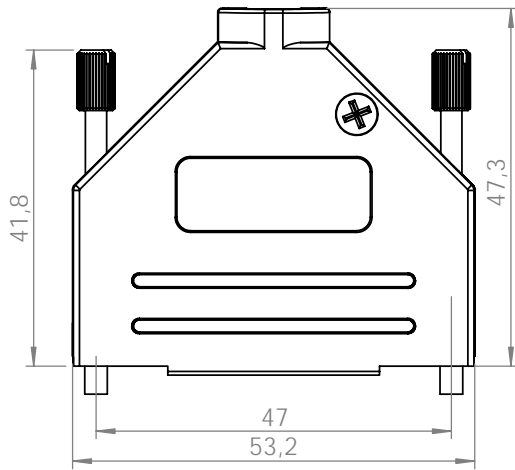
DTZK15-D-JSS-45

Draw.nr: 41268-2

Date: 08.11.05

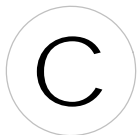
Rev.: A

Sign.: RK



**Components
comply to
RoHS 2002/95/EC**

ITEM NO.	QTY.	PART NO.	DESCRIPTION
1	2	DTZK25-D5	Cover half
2	2	D-JSS-45	Jack screw
3	2	MFX-GF-3x10	Screw
4	1	DVZK-D1	Strain relief



THIS DRAWING MUST NOT BE COPIED WITHOUT OUR PERMISSION, IMPARTED TO A THIRD PARTY OR OTHERWISE USED WITHOUT AUTHORISATION. CONTRAVENTION WILL BE PROSECUTED

OSSI
CONNECTORS

Postbox 125
DK-4930 Maribo
Danmark
Tlf: 54782888 / Fax: 54783340

DTZK25-D-JSS-45

Draw.nr: 41268-3

Date: 08.11.05

Rev.: A

Sign.: RK