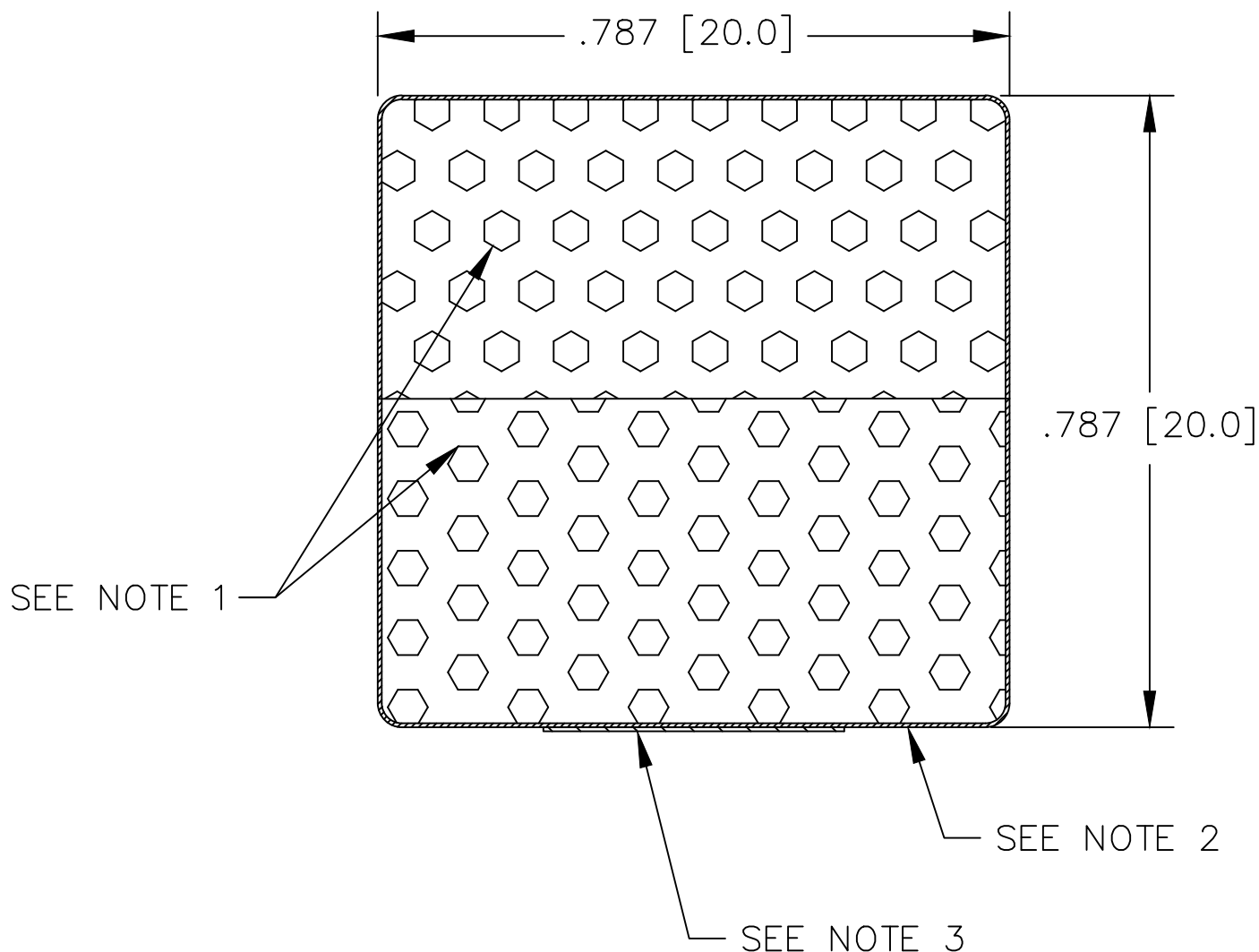


THIS INFORMATION IS CONFIDENTIAL AND PROPRIETARY TO LAIRD TECHNOLOGIES. IT MAY NOT BE DISCLOSED TO ANYONE, OTHER THAN LAIRD TECHNOLOGIES PERSONNEL, WITHOUT WRITTEN AUTHORIZATION FROM LAIRD TECHNOLOGIES.



- NOTES:
1. FOAM: URETHAN
  2. FABRIC: NICKEL NRS FR EcoGreen
  3. TAPE: .375" TAPE HI-TEMP, center
  4. LINER: NO EXTENDED RELEASE LINER
  5. FABRIC SEAM LOCATION MAY VARY.
  6. CARRIER: NO CARRIER
  7. PART IS RoHS COMPLIANCE.

|            |  |
|------------|--|
| REVISIONS: |  |
|            |  |
|            |  |
|            |  |
|            |  |

|  |                  |
|--|------------------|
| TITLE:<br><b>SHIELDING GASKET</b>      |                  |
| Dwg. or Part No.<br><b>4089-AB-51G</b> | REV.<br><b>0</b> |

|                |                 |               |
|----------------|-----------------|---------------|
| DRAWN<br>M.LIU | DATE<br>20/3/07 | SCALE:<br>1/1 |
| CHECKED BY:    |                 | DATE          |
| RELEASED BY:   |                 | DATE          |

|  |           |         |
|--|-----------|---------|
| DIMENSIONS ARE IN INCHES. UNLESS OTHERWISE SPECIFIED, TOLERANCES ARE AS FOLLOWS: |           |         |
| DECIMALS   | LENGTH    |         |
| .XX ± .03  | 0" - 6"   | ± .030" |
| .XXX ± .020  | 6" - 11"  | ± .050" |
|  | 11" - 48" | ± .100" |
| ANGLES   | 48" - 70" | ± .187" |
|  | ± 1/2'    | ± .250" |

