

24

2436 02

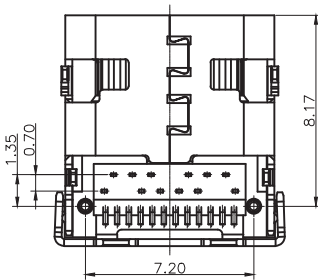
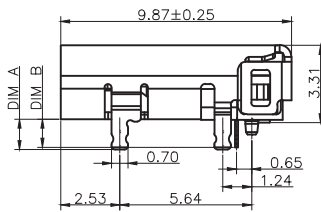
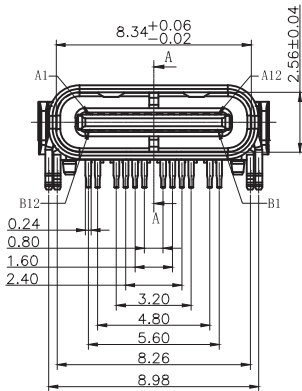
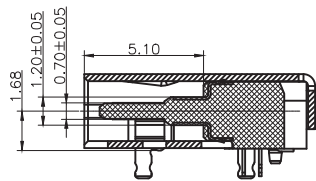
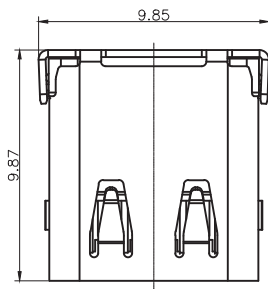
USB and IEEE 1394 connectors



USB 3.1 chassis socket type C, 24 poles, angular version,
for printed circuit boards, surface mounting technology
(SMT/THT)

24

2436 02



Environmental conditions

Temperature range -25 °C/+85 °C

Materials

Insulating body LCP, V-0 according to UL94
Contact spring Cu alloy, gold-plated
Housing steel, nickel-plated

Mechanical data

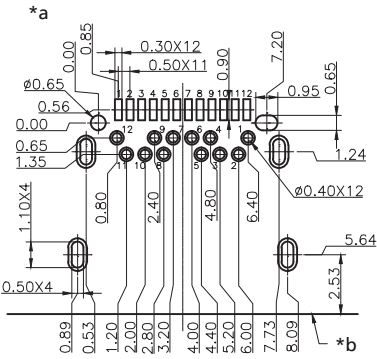
Mating cycles 10000
Insertion force 5–20 N
Withdrawal force 8–20 N

Electrical data (at T_{amb} 20 °C)

Contact resistance 40 mΩ
Rated current 5 A/1.25 A/0.25 A
Rated voltage 5 V
Rated impulse voltage 100 V/60 s
Insulation resistance ≥ 100 MΩ

Associated products

Counterparts
☞ 2483 01



*a printed circuit board layout, components side view
 *b connector front edge

24

2436 02

Designation	Pole Number	PU (Pieces)	MDQ (Pieces)
2436 02	24	1000	1000

Packaging:

on reel